



## OG8002/P - Lincat Opus 800 Propane Gas Free-standing Oven Range - 6 Burners - W 900 mm - 50.5 kW

This powerful Opus 800 gas oven range is built to deliver high volumes of top quality food and will withstand the rigours of even the busiest kitchen.

- ✓ Powerful 7.5kW dual concentric burners for focused heat distribution from a fast boil to a low simmer
- ✓ Individual heavy-duty single cast iron supports, built to withstand the rigours of the busiest kitchen
- ✓ Low flue to allow use of the complete hob top
- ✓ Powerful 9.5kW oven
- ✓ Large 4 x GN1/1 capacity oven enabling four different foods to be cooked simultaneously
- ✓ Gas Oven Ranges

### Specifications

#### Summary

Brand	Lincat
Range	Opus 800
Power Type	Gas
Gas Type	Propane Gas
Unit Type	Free-standing
Available in UK Only	No
UK Warranty	2 Years Parts and Labour Warranty
Export Warranty	Contact your local dealer
GTIN	5056105102229

#### Power and Performance

BTU per Hour	172,306
Total Power kW	50.5
Temperature Range °C	120-280
Cooking Area (Width x Depth) mm	900 x 600
Temperature Control	Mechanical
Rating per Hob kW	7.0
Oven Rating kW	8.5

#### Key Specifications

Number of Shelves included	2
Number of Shelf Positions	4
Number of Hobs	6
Shape of Hob	Square

#### Capacity

Gastronorm Capacity	4 x GN1/1
---------------------	-----------

#### Weights and Dimensions

Unit Height (External) mm	920
Unit Width (External) mm	900
Unit Depth (External) mm	800
Height (Internal) mm	405
Width (Internal) mm	715
Depth (Internal) mm	530
Shelf Dimensions Width mm	710
Shelf Dimensions Depth mm	512
Hob Dimensions mm	300 x 300
Net Weight Kg	136.4

#### Supply Connections

Requires Installation	Yes
Requires Electrical Supply	No
Gas Connection BSP	3/4"
Gas Consumption at full rate Propane m <sup>3</sup> per Hour	3.61
Gas Pressure Propane mbar	37
Total heat input at full rate Propane kW	49.2
Total heat input at full rate Propane BTU per hour	167,870

#### Shipping

Packed Weight Kg	149
Packed Height cm	107
Packed Width cm	100
Packed Depth cm	85

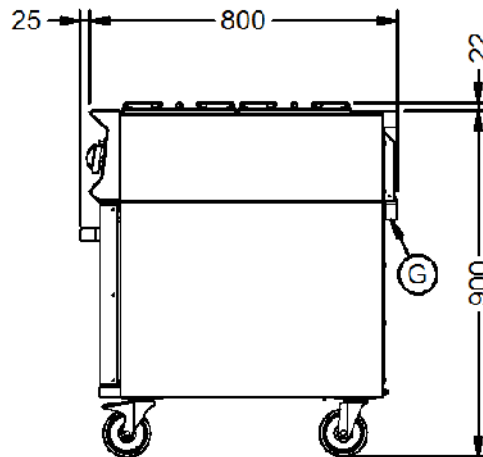
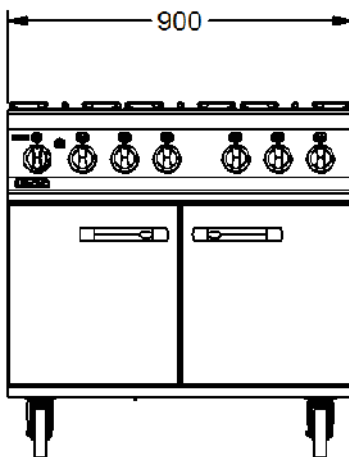
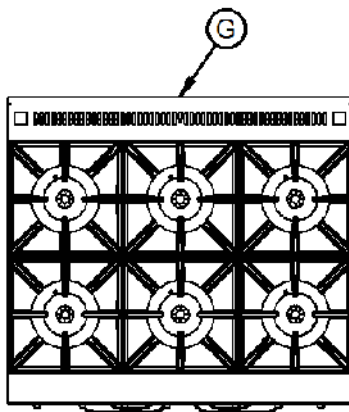
### Available Accessories

Available Accessories

OA8902

SPLASHBACK/SHELF - OG8002

Technical Picture





**Lincat Limited**

Whisby Road,  
Lincoln, LN6 3QZ,  
United Kingdom

**Company No:** 2175448

A member company of



**Customer Care**

**Tel:** +44 1522 875500  
**Email:** [care@lincat.co.uk](mailto:care@lincat.co.uk)

**Export Customers**

**Tel:** +44 1522 503250  
**Email:** [export@lincat.co.uk](mailto:export@lincat.co.uk)

**Opening Hours**

**Monday – Friday:**  
8.30am – 5pm